

InfloorBoard™

THE RADIANT SYSTEM FOR THE WAY YOU BUILD



YOU'LL FIND
INFLOORBOARD
UNDER THE BEST FLOORS

INFLOORBOARD

MODULAR HYDRONIC
RADIANT HEATING SYSTEM

INFLOORBOARD™

The Hydronic Radiant Heating System Everyone Loves

InfloorBoard™ is now more efficient, more responsive, and compatible with standard construction practices. Ideal for new construction and remodeling alike, with its low profile, lightweight and rapid response. InfloorBoard delivers a genuine advance in the best heating system you can buy... hydronic radiant heat.

Why It Works So Well...

Non-structural InfloorBoard is designed specifically for subfloor applications. InfloorBoard is constructed of a dense composite board covered with aluminum that spreads the heat evenly and quickly. InfloorBoard heats rapidly and is easy to control with setback thermostats for maximum energy efficiency. It contains just enough thermal mass to be effective, but not so much that it's difficult to control. No other product combines the performance, ease of installation and cost-effectiveness.



www.infloor.com

QUICK INSTALLATION



In three easy steps, InfloorBoard™ can be efficiently installed by specialty InfloorBoard radiant installers or by a trained general contractor.

InfloorBoard is cut to size, glued, then either screwed or pneumatically stapled to a standard subfloor in a pattern to accommodate the PEX tubing layout needed for that particular space — to fulfill the room's heating requirements.

The three easily understood board shapes are usually assembled with very little cutting to form the groove layout for the 3/8" PEX tubing. When cutting is required, you can use conventional circular saws, radial arm saws or table saws.

Finished flooring goods may then be easily installed over InfloorBoard, with reference to our installation manual. Download other tips and considerations from our website. Third party layout documentation and submittal services are available.

Construction Friendly

InfloorBoard is installed using conventional construction practices and commonly used tools. With a layout plan, the three Infloorboard panel patterns can be systematically arranged on the subfloor. Not only are the boards lightweight — they're also easy to handle, cut and attach to the subfloor.

Flooring Friendly

InfloorBoard provides a quality flat surface for floor covering assemblies:

- HARDWOOD
- ENGINEERED WOOD
- TILE/STONE
- CARPET
- VINYL/RESILIENT FLOORING
- LAMINATE

Each of these flooring assemblies are supported by detailed drawings and instructions such as those illustrated on the back. Consult our application guide for greater detail.

Cost Friendly

InfloorBoard avoids joist upsizing, double plating and hardwood nailing strips associated with gypsum-based concrete radiant heating systems. Also, InfloorBoard eliminates substantial drying costs required by moisture-laden concrete and gypsum-based cement. Time is money. Infloorboard eliminates scheduling and curing delays.

Planet Friendly

InfloorBoard employs fully recyclable wood and a recyclable aluminum alloy. It is made of recovered and recycled materials.

Testing by Environmental Analysis, Inc. has revealed no measurable outgassing.

EAI Project
#0107-090.

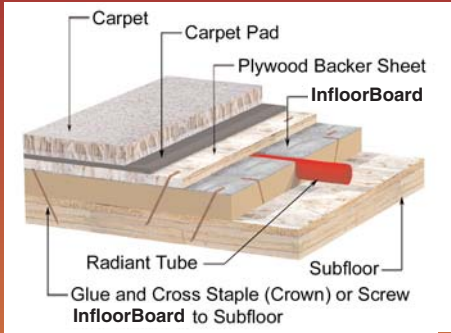


www.infloor.com

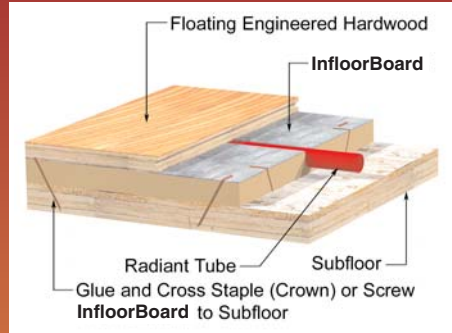
INFLOORBOARD™

Many floorings, such as hardwoods, may be installed directly over InfloorBoard.™ InfloorBoard saves on work, materials, time and money when compared with other thermal mass options.

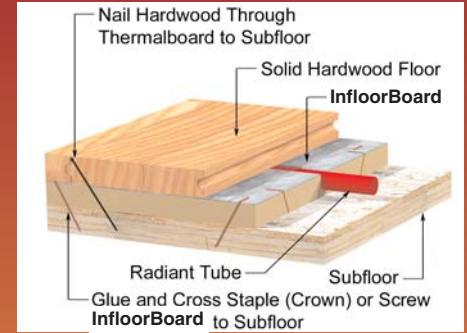
CARPET



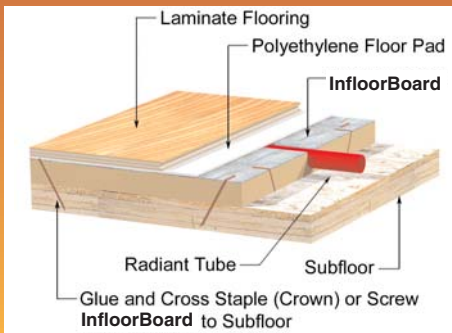
ENGINEERED WOOD



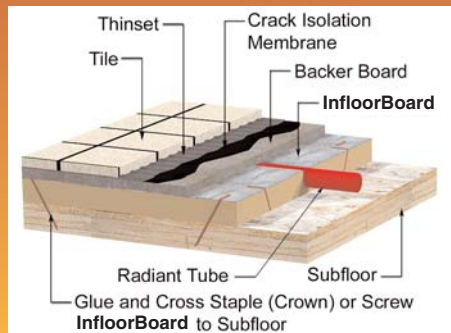
TRADITIONAL WOOD



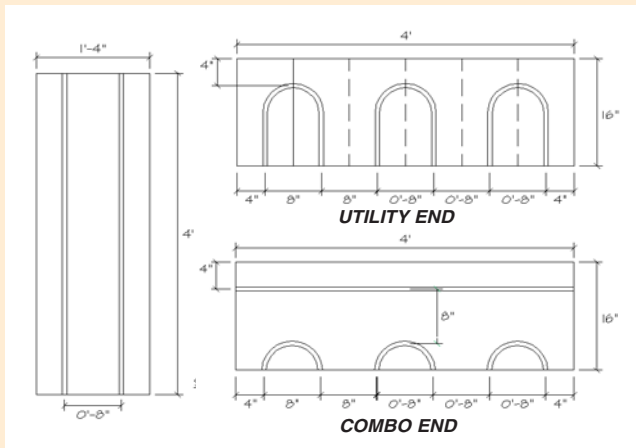
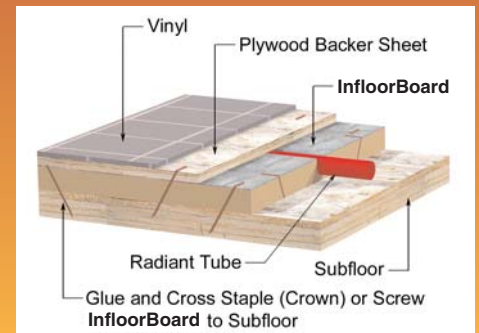
LAMINATE



TILE



VINYL



InfloorBoard Specifications

Dimensions: Each board is 16" x 48" x 5/8" thick.

Square Footage: 5.333^{sq.ft.} per board

Weight: Approximately 2.5 pounds per sq.ft., 13.3 pounds per board

Pallet Size: 4' x 4' x 24' tall (99 InfloorBoards per pallet; 528^{sq.ft.})

Approximate Pallet Weight: 1280 pounds

Approximate Truckload: 16,885.44^{sq.ft.}, or 33 pallets, or 42,214 lbs.

Recommended Product Mix: Straight, 70%; Combo End, 15%; Utility End, 15%

* Allow 10% extra for waste.

INFLOORBOARD™

For the Infloor Experts
nearest you, call:

1-800-588-4470

E-mail: info@infloor.com

<http://www.infloor.com>

Infloor Inc.
PO Box 5283
Buena Vista, CO 81211 USA
1-800-608-0562
FAX: 1-719-395-3555

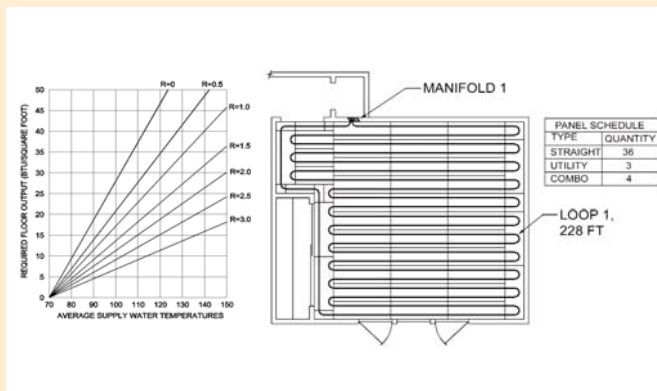
Infloor Heating Systems are installed by a nationwide network of authorized dealers.

Infloor is a registered trademark of Infloor Radiant Heating, Hamel, Minnesota.

©2001 Infloor Radiant Heating, all rights reserved.

Printed in U.S.A. 1/05 -- 62074

Design and Submittal Layout Services



InfloorBoard panel layout services are available from your InfloorBoard distributor. These submittal services provide CAD drawings of the proper panel combinations to accept the PEX radiant tubing. Plans must be submitted electronically.

Layout technicians will require client flooring goods selections, including hardwood orientation, for each room, as well as manifold location preference. Separate heat loss and complete system design services available.