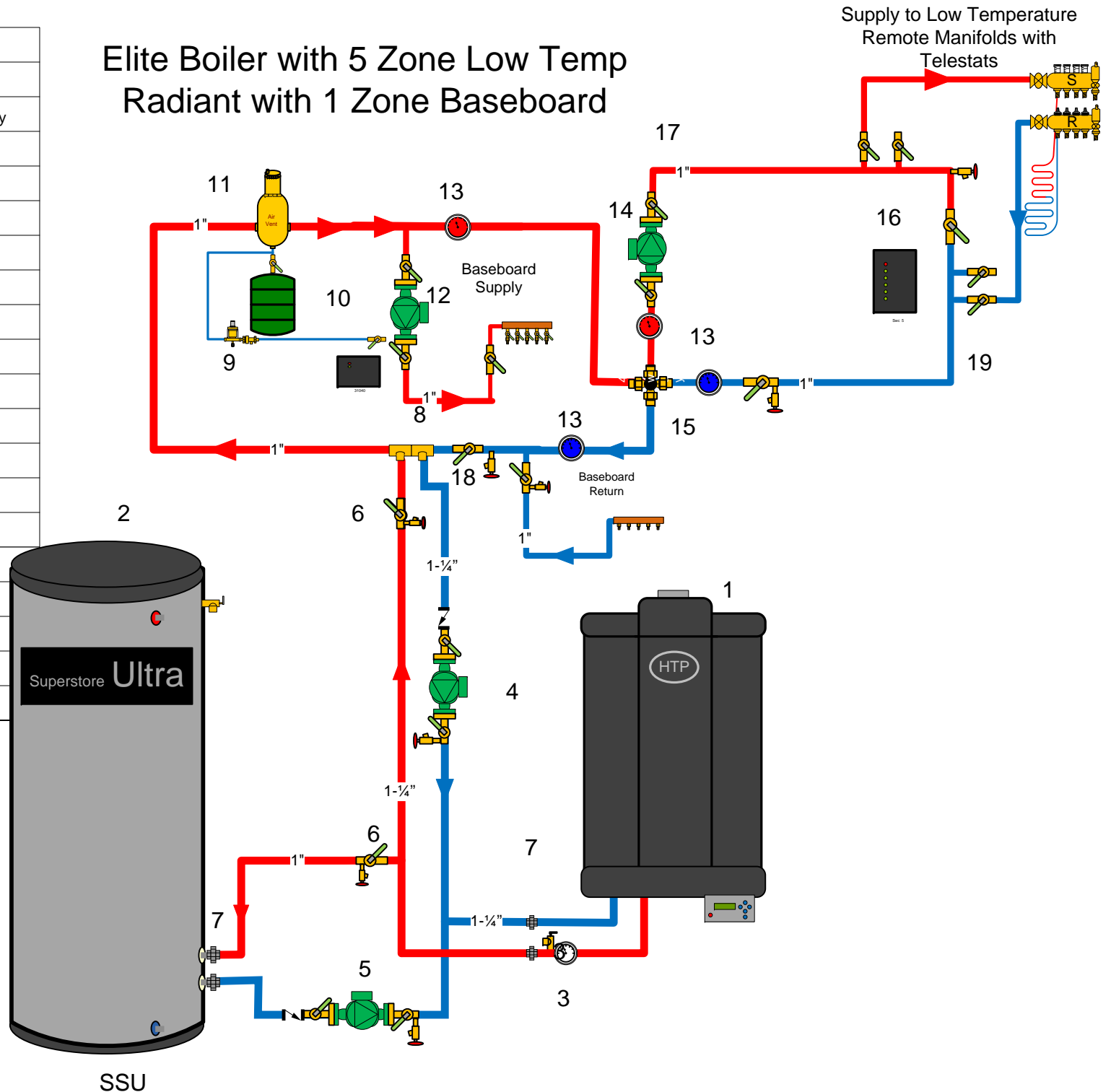


1	HTP Elite 150
2	SSU-60 Tank
3	Temperature Gauge/30 psi assembly
4	Wilo Star 33 Pump w/flanges
5	Wilo Star 33 Pump w/flanges
6	Ball Valve with Drain
7	Union Fitting
8	Closely Spaced Tees
9	Fill Valve/Backflow Preventer
10	HTX 30 Expansion tank
11	1" Air Eliminator
12	Stratos Eco Pump w/flanges
13	Temperature Gauge w/well
14	Stratos Eco Pump w/flanges
15	1" 4 way mixing valve
16	6 Zone Control Box
17	Ball Valve Typical
18	½" Boiler Drain
19	Zone Valve Typical
20	31040 Single Zone Pump Control

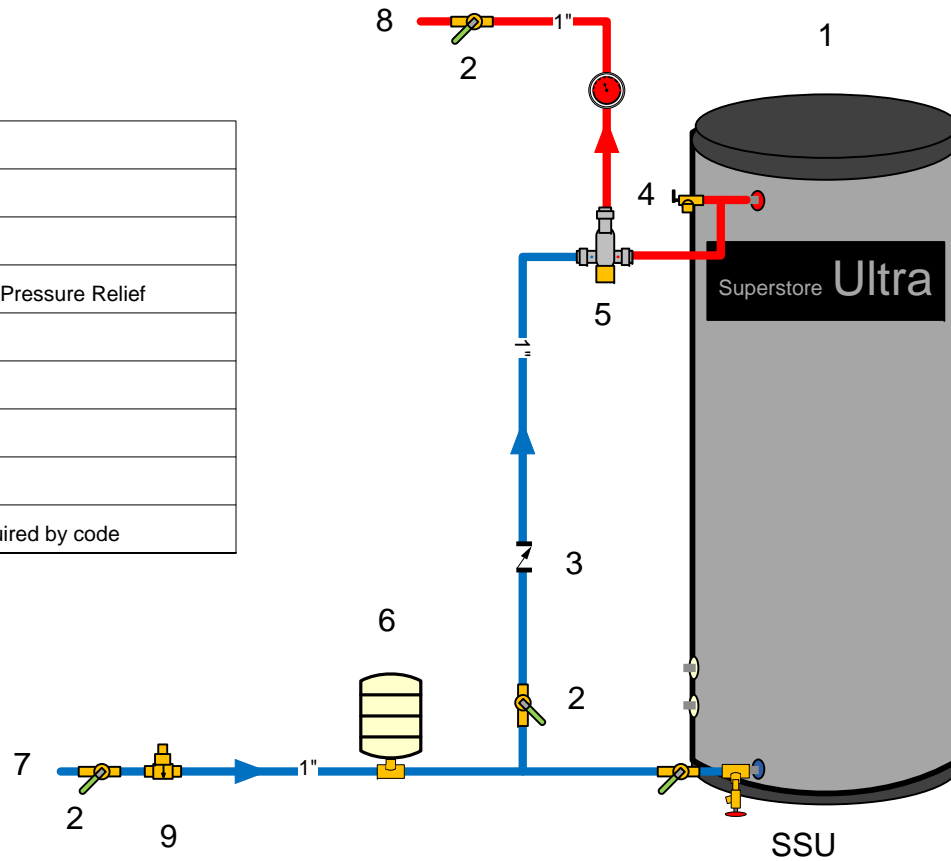
## Elite Boiler with 5 Zone Low Temp Radiant with 1 Zone Baseboard



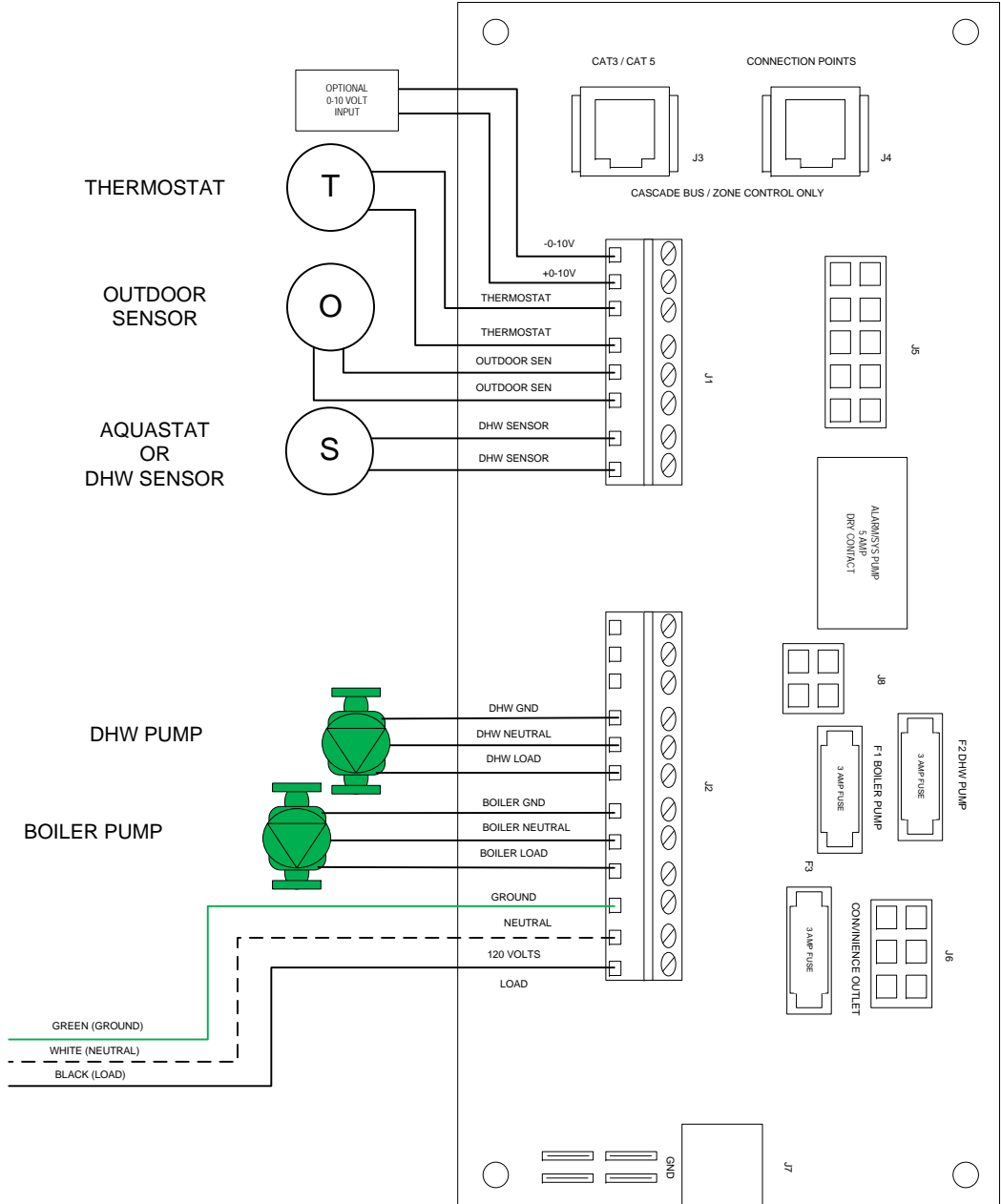
SSU

# Tank Piping for Domestic Only

1	Superstore 60
2	1" Ball Valve Typical
3	1" Spring Check Valve
4	Wat 140 XL Temperature / Pressure Relief
5	1" 3 way mixing valve with
6	Domestic Expansion tank
7	Cold water In
8	Hot Water Out
9	Backflow Preventer as required by code

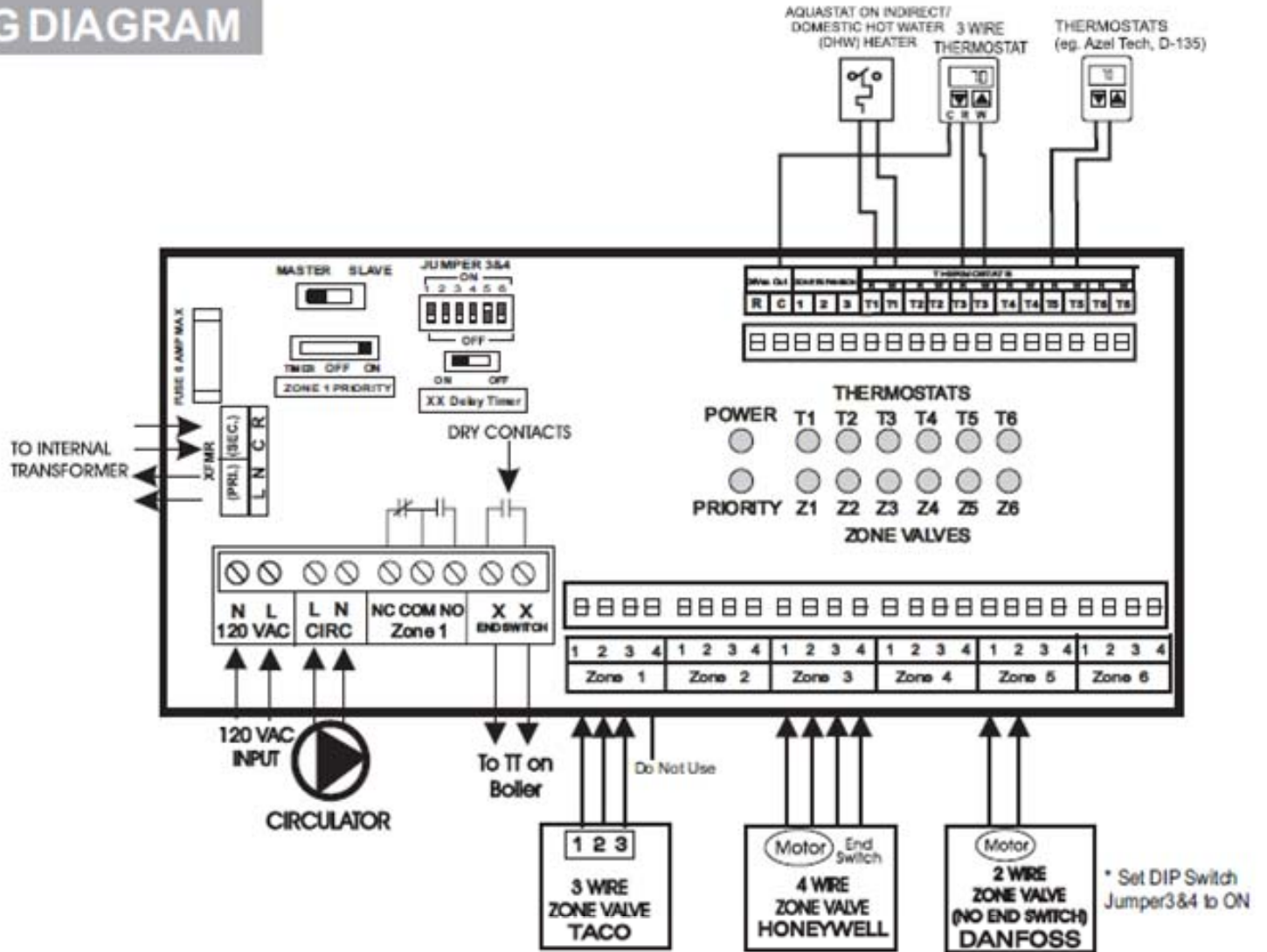


# ELITE STANDARD WIRING DIAGRAM WITH PUMPS LESS THAN 3 AMPS



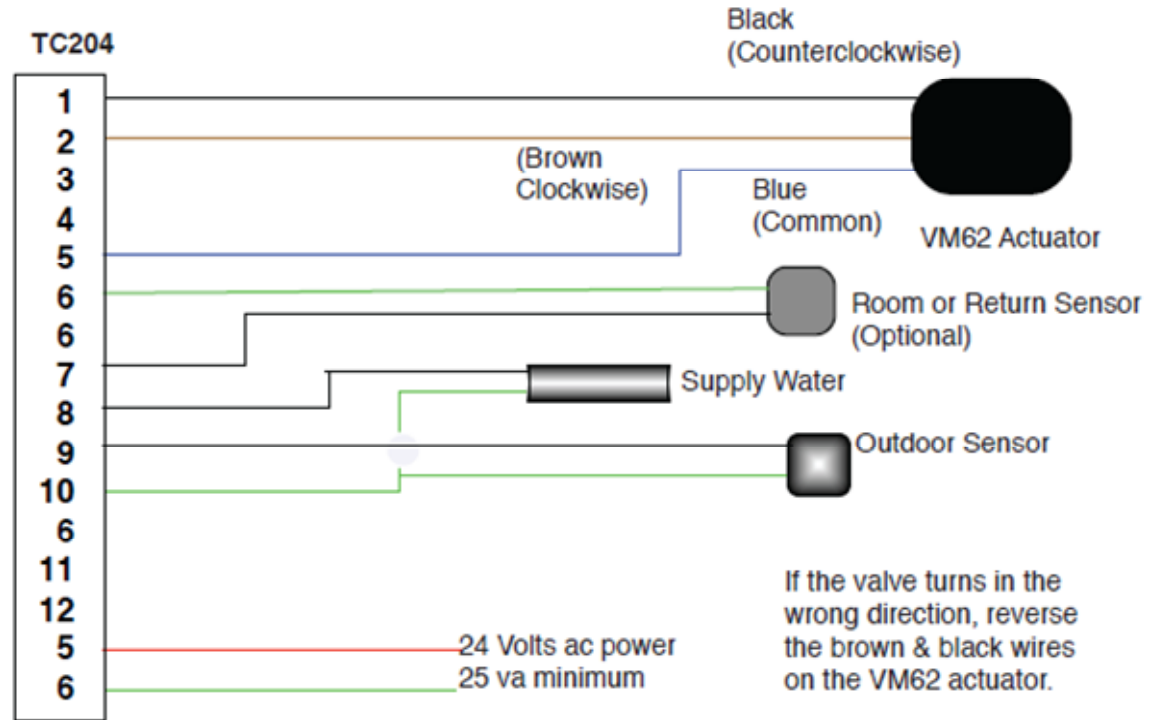
# 30064 6 Zone Control Box

## TYPICAL WIRING DIAGRAM



# 30005 Wiring Instructions

All Inputs must be wired before the controller can be programmed.



**Basic Installation**

# 31040 Wiring Diagram

## TYPICAL WIRING DIAGRAM

