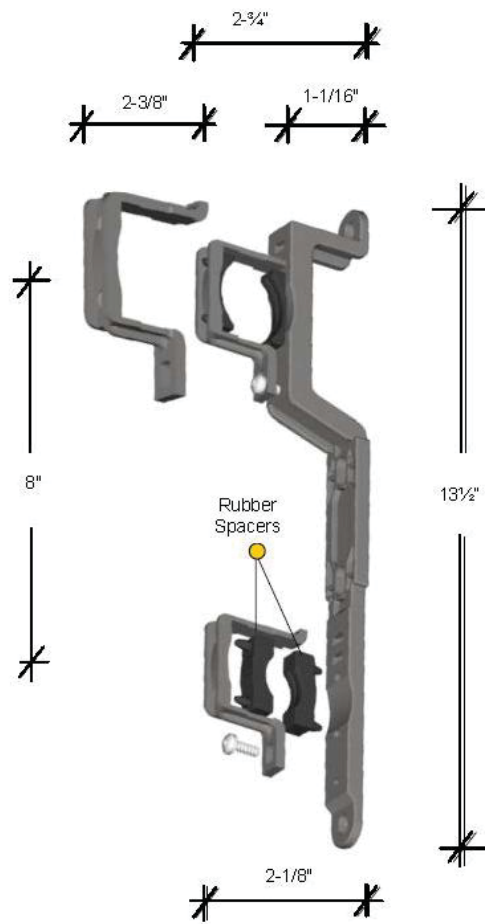


28360-28361
Submittal

Copper Manifold Bracket



Specifications

1 Pair per package

Materials; polyamide
(fiber glass reinforced nylon)

Offset 1-1/16"

Manifolds OD 1" - 1-1/2"

Weight per pair .57 lbs

Non Corroding,

Sound Absorbing

Cannot be Twisted

Easy Installation

Date: _____

Project Name: _____

Engineer: _____

Submitted By: _____